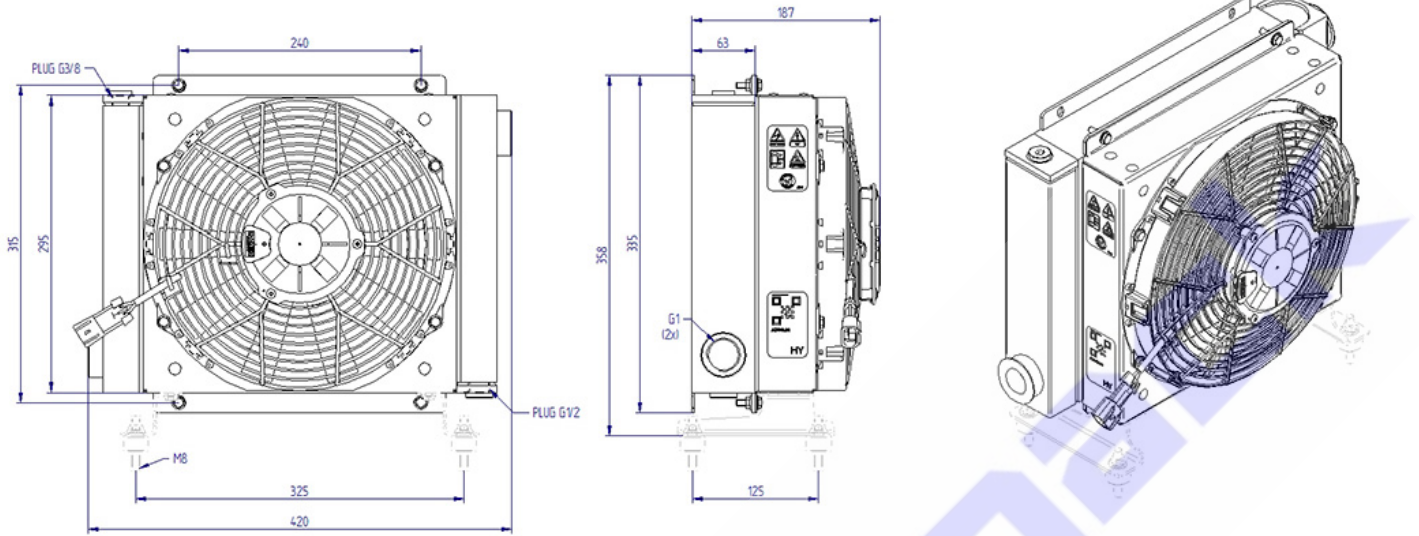


HY series HY02402

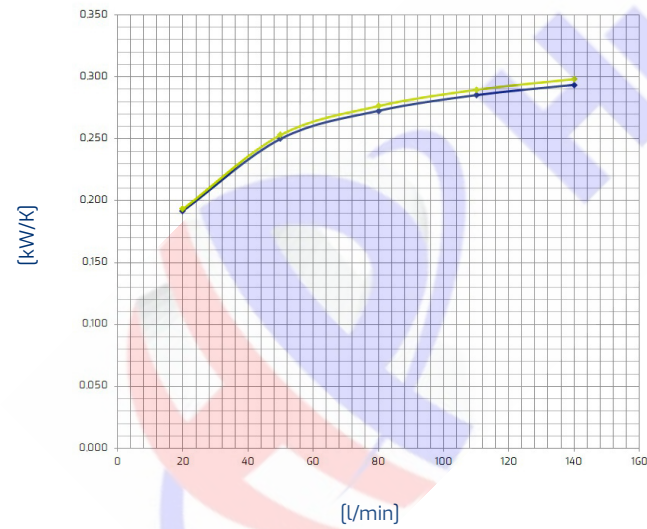


Technical data

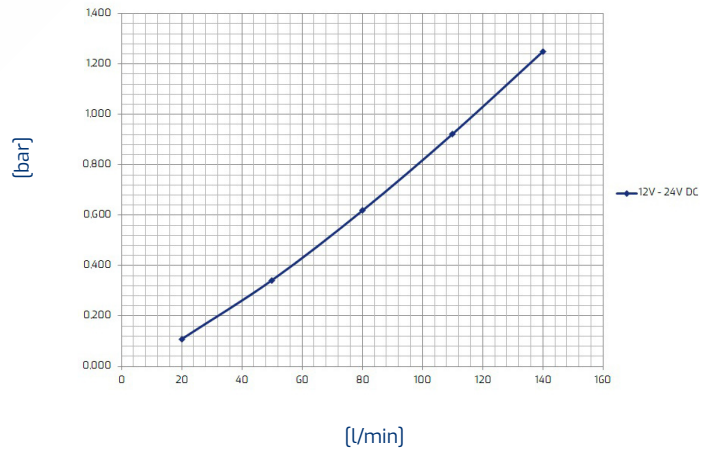
Item	Oil flow [l/min]	Capacity [l]	Weight [kg]	Rpm	Voltage [V]	Frequency [Hz]	Current absorption [A]	Power [W]	Ø Fan [mm]	Air flow [m³/h]	Noise level [db(A)]
HY02402	20-140	2	11		12		9,40	120	280	1230	75
HY02404	20-140	2	11		24		4,70	120	280	1235	74

Performance

Pressure drop



Oil T 80°C
T Amb. 40°C



Viscosity - ISO VG 32 Oil

Oil	22	32	46	68	150
Correction factor	0,8	1	1,2	1,6	3