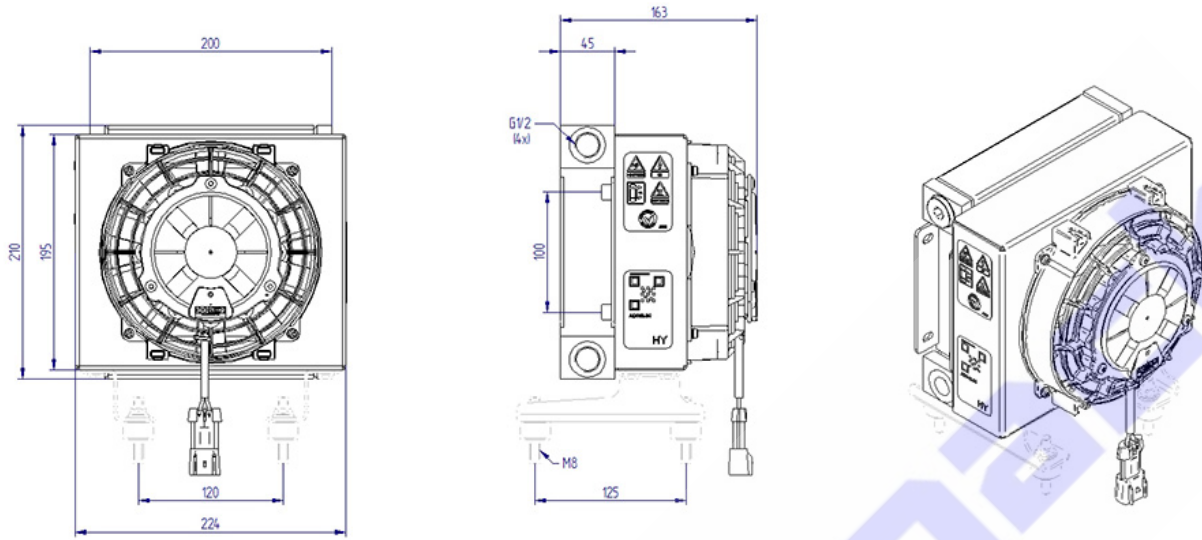


HY series HY01002

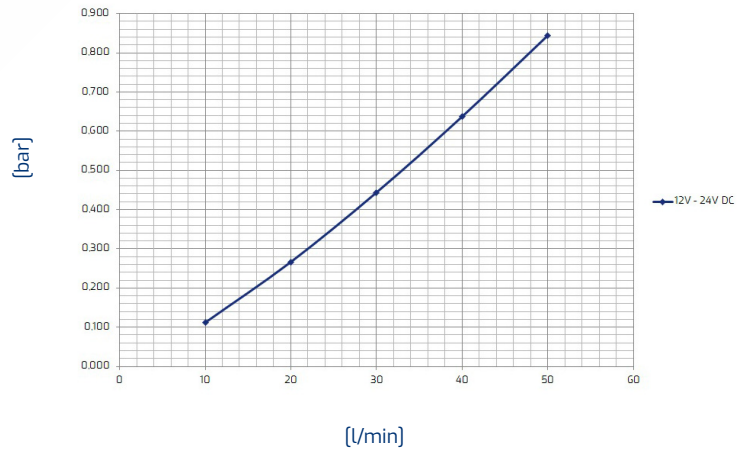
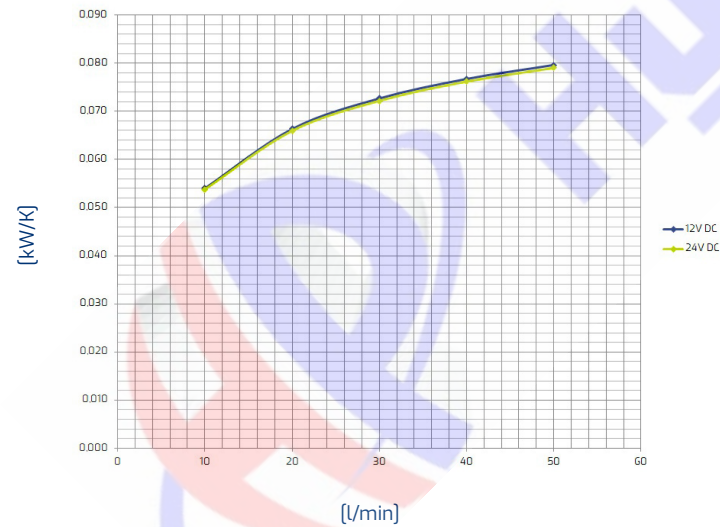


Technical data

Item	Oil flow [l/min]	Capacity [l]	Weight [kg]	Rpm	Voltage [V]	Frequency [Hz]	Current absorption [A]	Power [W]	Ø Fan [mm]	Air flow [m³/h]	Noise level [db(A)]
HY01002	10-50	0.7	5		12		5.40	70	167	362	71,3
HY01004	10-50	0.7	5		24		2.60	70	167	362	72,8

Performance

Pressure drop



Oil T 80°C
T Amb. 40°C

Viscosity - ISO VG 32 Oil					
Oil	22	32	46	68	150
Correction factor	0,8	1	1,2	1,6	3